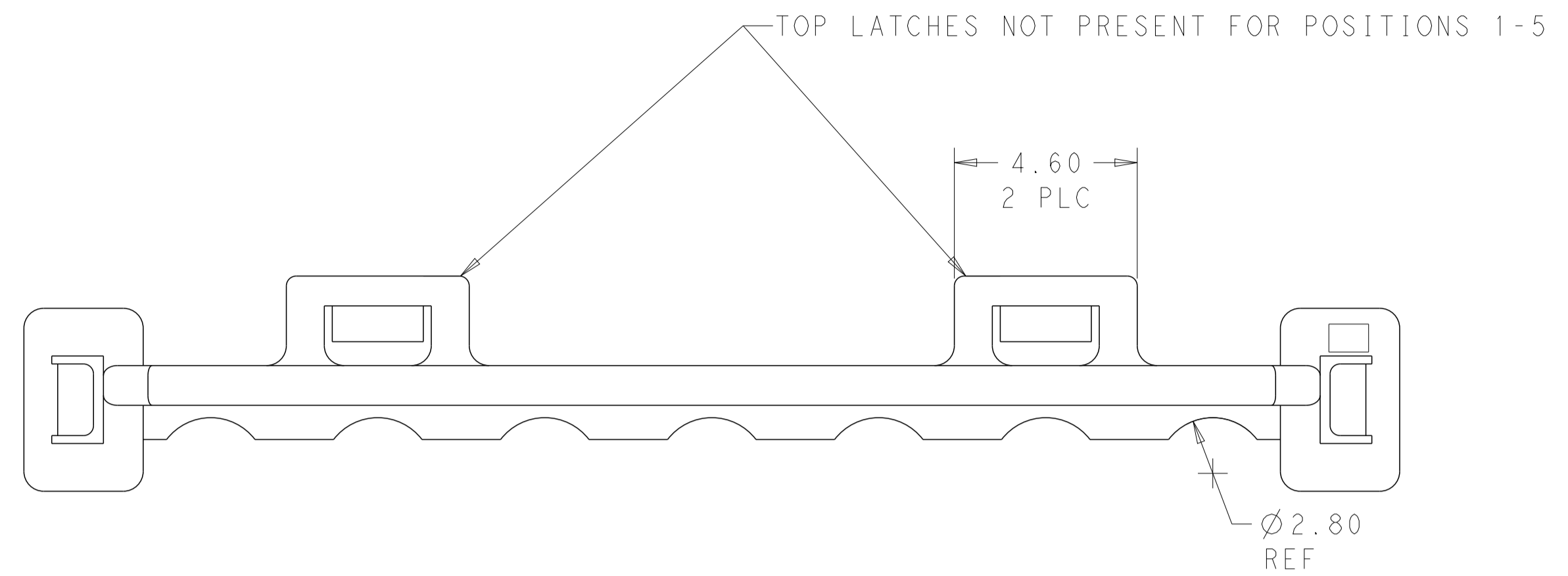
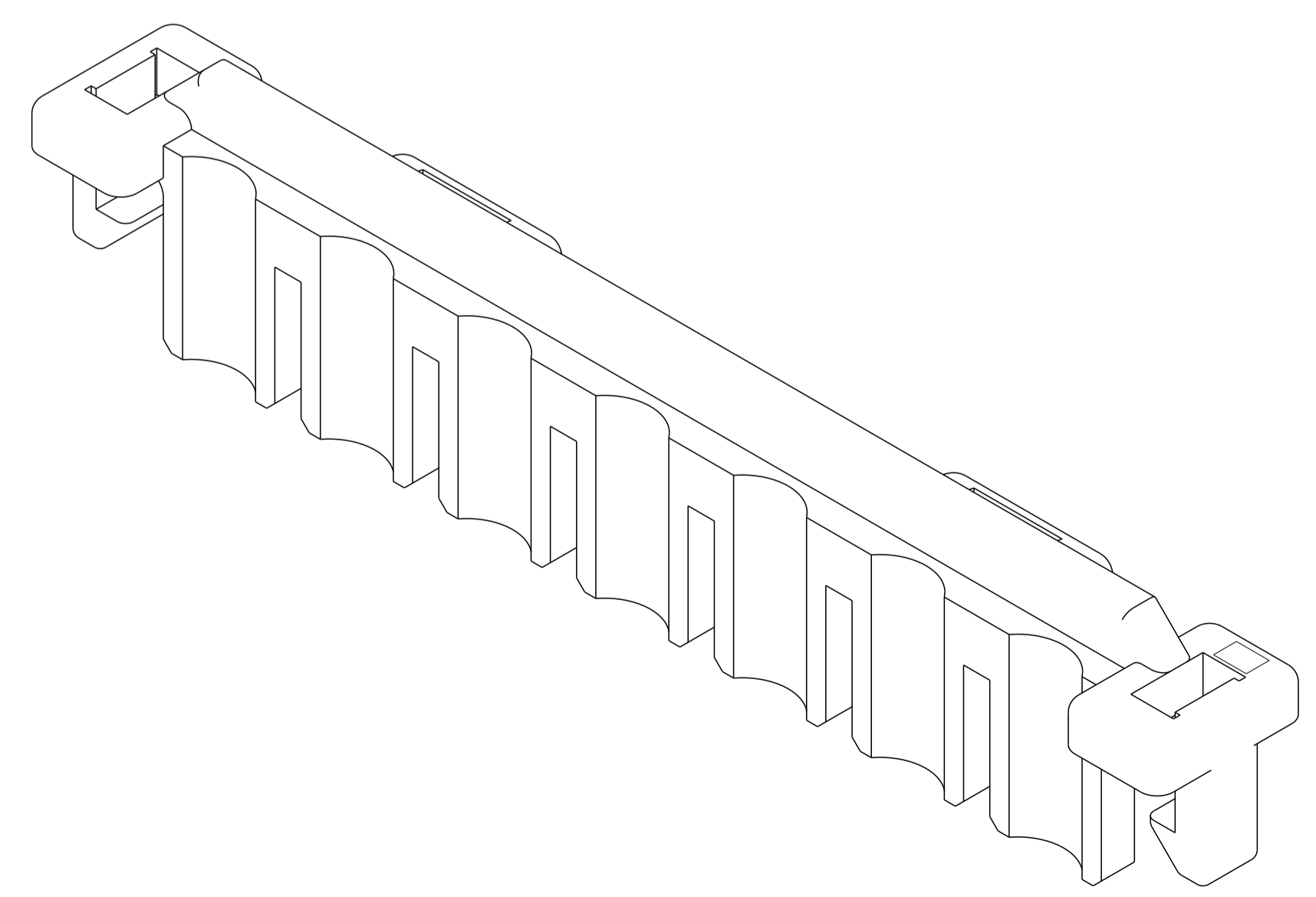
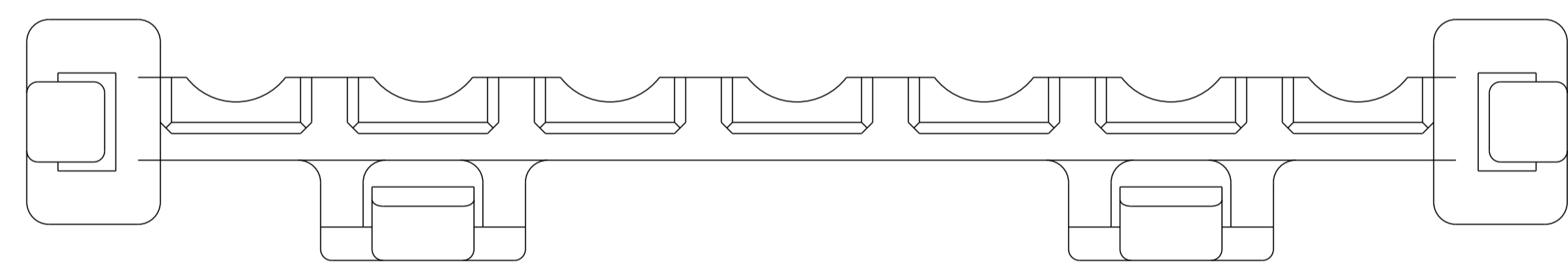
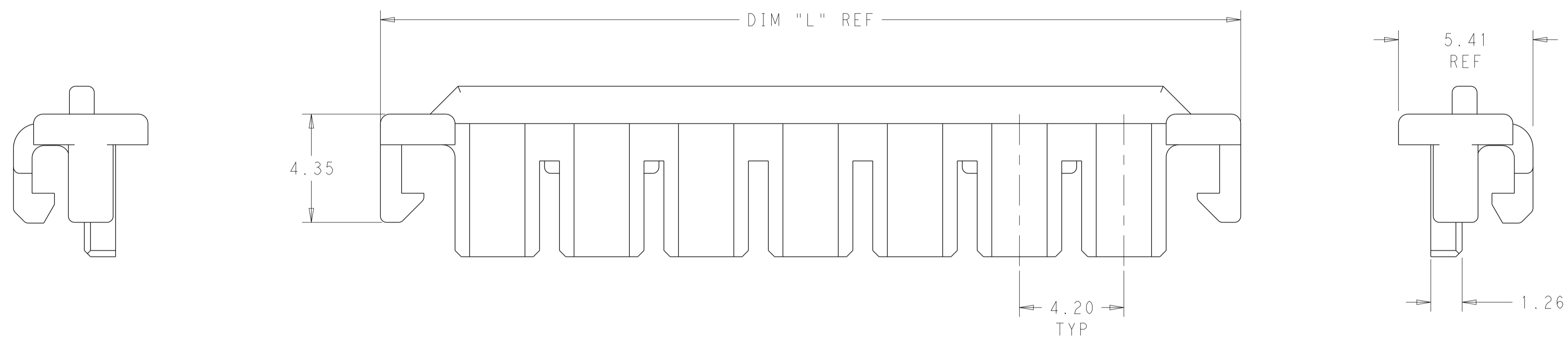


| LOC | | DIST | | REVISIONS | | | |
|-----|-----|---------------------------|-----------|-----------|------|--|--|
| P | LTN | DESCRIPTION | DATE | DWN | APVD | | |
| A1 | | REVISED PER ECR-14-008483 | 11JUN2014 | NK | JR | | |



- USE WITH VAL-U-LOK HOUSINGS.
 - FOR USE WITH #22-#18 AWG LEAD WIRE WITH INSULATION DIA 2.16-2.79MM AND INSULATION CRIMP HEIGHT OF 3.05 MIN.
- △3 SIDE LATCHES ONLY, NO TOP LATCHES FOR POSITIONS 1-5



1969608-7 SHOWN HERE

| 55.60 | 12 | 1-1969608-2 |
|-------|----------|--------------|
| 51.40 | 11 | 1-1969608-1 |
| 47.20 | 10 | 1-1969608-0 |
| 43.00 | 9 | 1969608-9 |
| 38.80 | 8 | 1969608-8 |
| 34.60 | 7 | 1969608-7 |
| 30.40 | 6 | 1969608-6 |
| 26.20 | 5 | 1969608-5 △3 |
| 22.00 | 4 | 1969608-4 △3 |
| 17.80 | 3 | 1969608-3 △3 |
| 13.60 | 2 | 1969608-2 △3 |
| 9.40 | 1 | 1969608-1 △3 |
| DIM L | # OF POS | PART NO. |

THIS DRAWING IS A CONTROLLED DOCUMENT.

DWN S. EDWARDS 08JAN2013
 CHK JR RUTH 03JUN13
 APVD KURT RANDOLPH 04JUN13

NAME: HOUSING, TPA, VAL-U-LOK

PRODUCT SPEC: -
 APPLICATION SPEC: -

MATERIAL: NYLON 6/6
 FINISH: COLOR: BLACK

WEIGHT: -
 Customer Drawing

SIZE: A1
 CAGE CODE: 100779
 DRAWING NO: 1969608

RESTRICTED TO: -

SCALE: 8:1
 SHEET: 1 OF 1
 REV: A1